



READ ALL INSTRUCTIONS BEFORE INSTALLING THIS BIN UNIT. FAILURE TO INSTALL THE BIN CORRECTLY MAY VOID WARRANTY.

IMPORTANT INSTALLATION INFORMATION:

The stated product installation width applies to installations where the door fully clears the cabinet opening and may be hinge dependent, additional carcass width may be required.

BENCH OVERHANG CLEARANCE:

These Hideaway Compact Floor Mount models have been designed with over extension drawer runners which allow for a bench overhang of up to 75mm, allowing the bucket to come clear of the bench.

FASTENER IDENTIFICATION:

**16mm
Surefix
Screw**



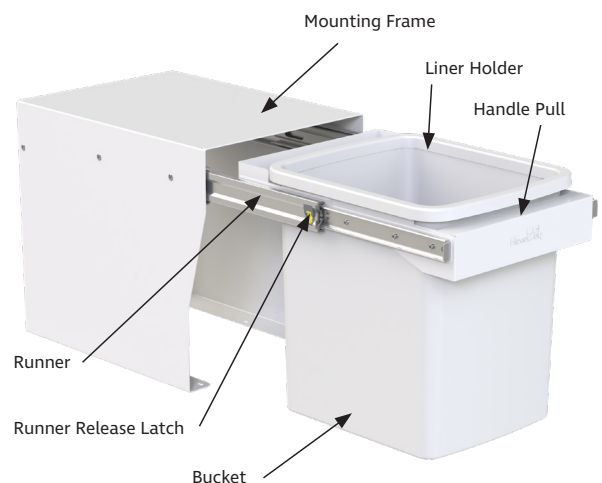
Step 1 - Install the floor mount bin within the cupboard (refer to the Installation Dimensions on the back page)

- With the bin standing upright, fully extend the runners and remove the bucket.
- Close the runners fully.
- Place the unit inside the cabinet in the desired location. Secure to base of cabinet using screws provided. Mounting holes are located at the base of the mounting frame.
- If hinges are used on the door that do not allow the handle of the bin to clear the opening fully, allow an extra 10mm width.

Step 2 – Place the bin bucket into the collar

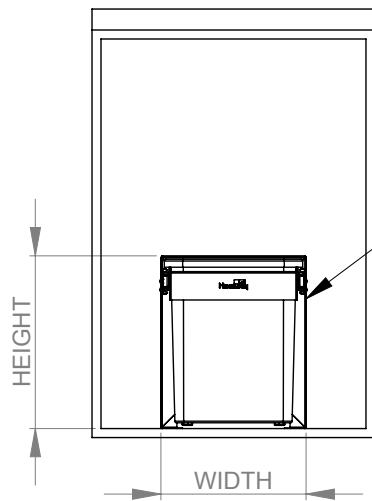
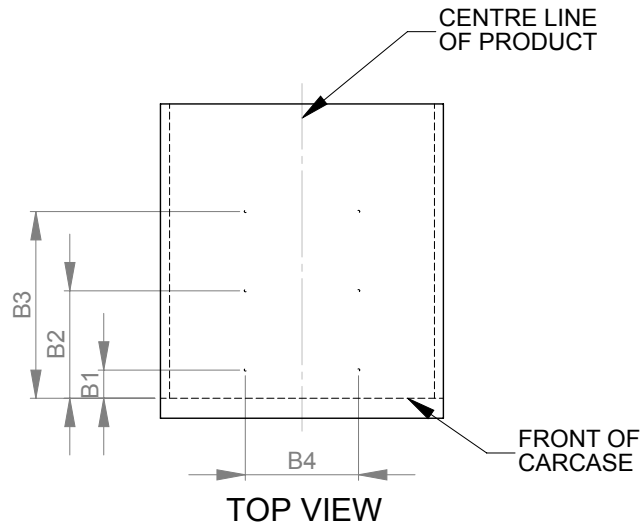
- Check that the bin opens and closes smoothly and that there is no contact between the bin and the mounting frame.
- Please leave the Care and Maintenance instructions inside the bucket for the owner.

FIG.1 - Bin Parts



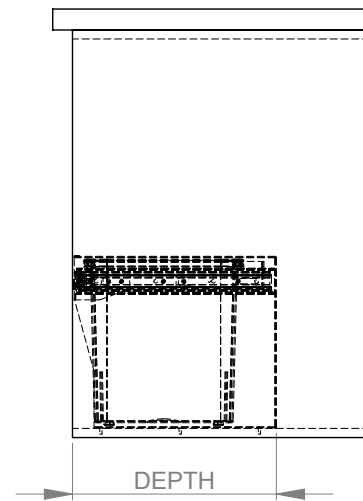
INSTALLATION DIMENSIONS

Model	External Dimensions			Base Drilling			
	Width	Height	Depth	B1	B2	B3	B4
KCF115SCH	258	305	358	50	190	330	200
KCF120SCH	258	408	358	50	190	330	200



FRONT VIEW

CHECK FOR CLEARANCE BETWEEN HANDLE PULL AND DOOR HINGES



SIDE VIEW

HIDEAWAY NEW ZEALAND 09 426 7456
 info@hideawaybins.co.nz / hideawaybins.co.nz

HIDEAWAY AUSTRALIA 1800 042 642
 info@hideawaybins.co.nz / hideawaybins.com.au



MEMBERS AND SUPPORTERS OF

