

FIG.6
Door Bracket Cover Installation

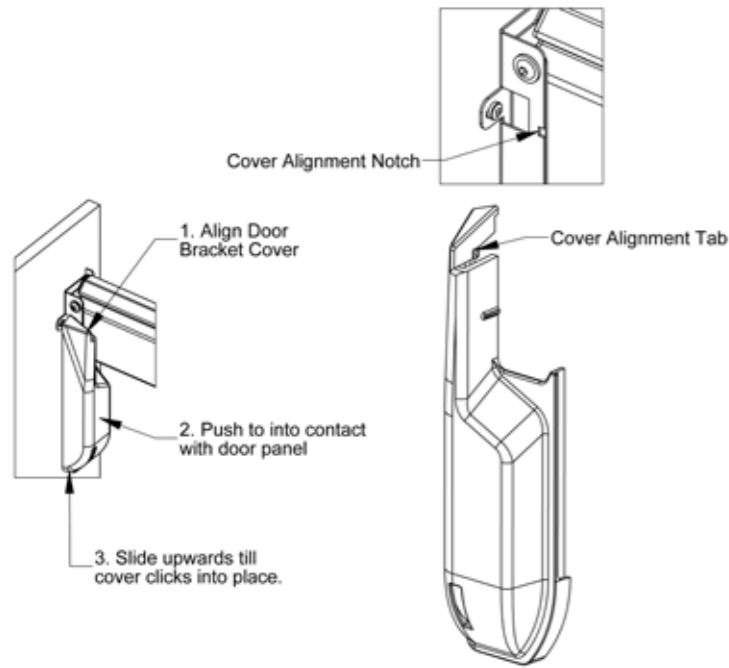
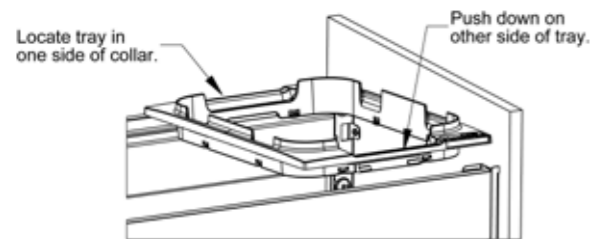


FIG.7



Step 8 – Fit the door bracket covers

Refer to Fig. 6

Step 9 – Install internal trays, buckets and liner holders

- Install internal trays, refer to Fig. 7.
- Once completed, install buckets into the internal trays.
- Once completed, install the liner holders on top of the bucket rims.

Step 10 – Install Active Lid

Refer to Fig. 8a & 8b

- Open the bin unit fully. Check the liner holders are correctly in place on top of the buckets.
- Position the Lid Tool in the small gap between the front liner holder and the drawer front, near the centre (Fig 8a).
- Place the Active Lid on top of the buckets and centralise. The front of the Active Lid should sit against the Lid Tool and the hooks and arrows on the top of the Active Lid face towards the cabinet interior (Fig 8b).
- Push the drawer completely closed and the Active Lid will reconnect itself to the bin mount inside the cabinet.
- Pull the bin open to check the Active Lid is installed. Retrieve the Lid Tool.
- Place the Lid Tool back inside the Care & Maintenance envelope for the homeowner.

FIG.8a

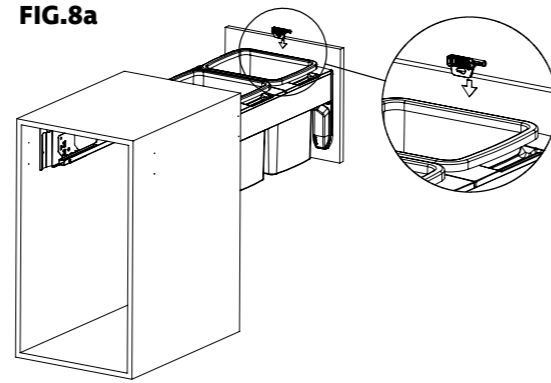


FIG.8b

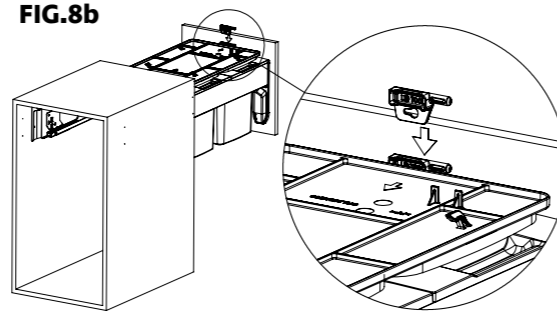
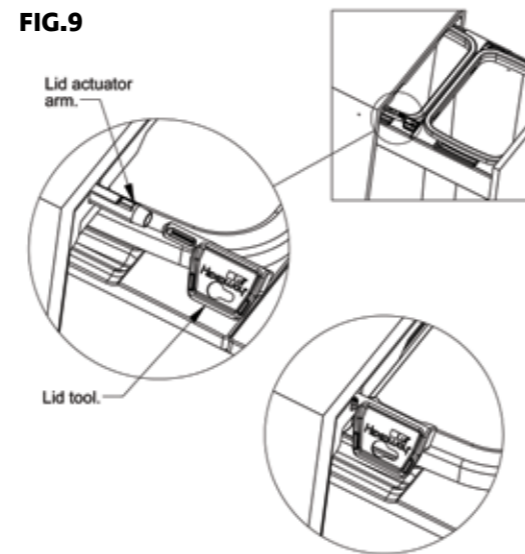


FIG.9



Step 11 – Removal of Active Lid

Refer to Fig. 9

- To remove lid, open bin approx. 100mm. Use the Lid Tool (or screwdriver) to push actuator in fully. Lid will be released and can be pulled out as the bin is opened.

Installation complete.

LID TOOL

Use the Lid tool that is included with Warranty Card to install the Active Lid. Please ensure the Lid Tool and Warranty Card REMAIN WITH THE PRODUCT AFTER INSTALLATION for use by the homeowner.



INSTALLATION VIDEO PLEASE WATCH FIRST:

NZ: hideawaybins.co.nz/concelo_installation
AUS: hideawaybins.com.au/concelo_installation
Or scan the QR code...



New Zealand



Australia



BENCH OVERHANG CLEARANCE:

The Hideaway Concelo range has been designed with over extension drawer runners which allow for a bench overhang of up to 35mm, allowing the back bucket to come clear independent of the front bucket. If more bench overhang clearance is required, please mount the bin lower in the cabinet.

FASTENER IDENTIFICATION:



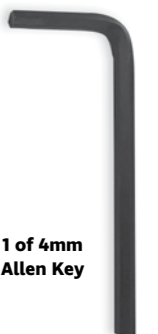
14 of 16mm Surefix Screw



6 of 12mm Surefix Screw



6 of 6G x 12mm Self-tapping Screw



1 of 4mm Allen Key

HIDEAWAY NEW ZEALAND 09 426 7456
info@hideawaybins.co.nz / hideawaybins.co.nz

HIDEAWAY AUSTRALIA 1800 042 642
info@hideawaybins.co.nz / hideawaybins.com.au



MEMBERS AND SUPPORTERS OF



FIG.1

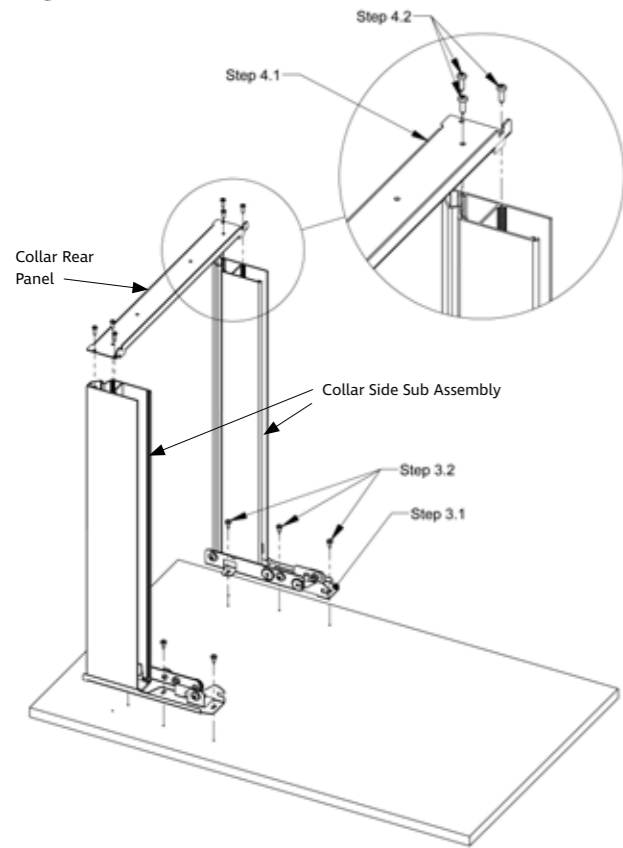


FIG.2

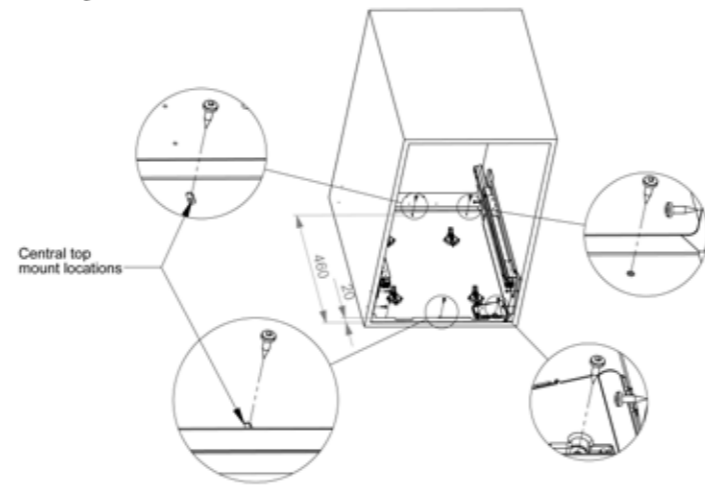


FIG.3

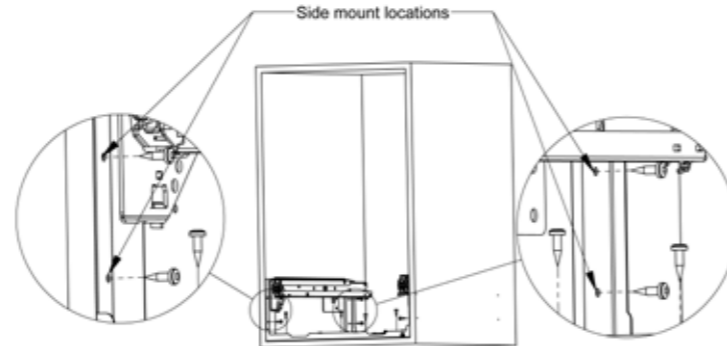


FIG.4

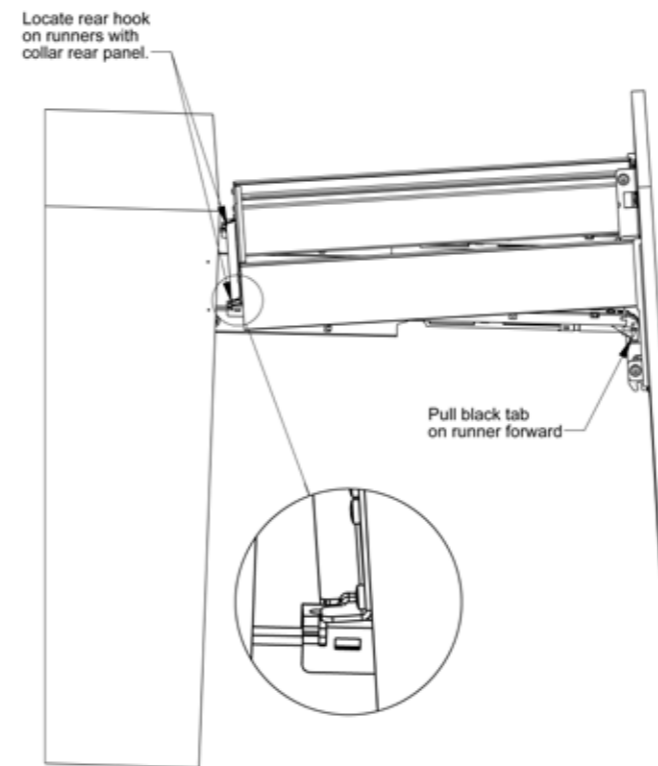
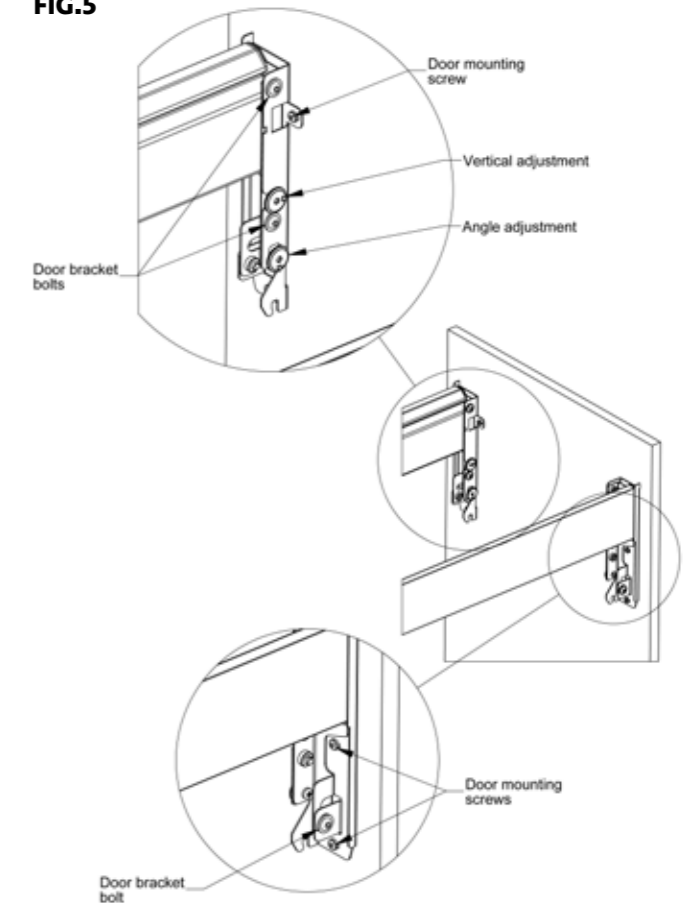


FIG.5



PLEASE WATCH THE INSTALL VIDEO BEFORE YOU BEGIN (link on the cover of these instructions)

Step 1 – Unpack carton

- Unpack collar rear panel and place to one side.
- Remove lid pack place to one side.
- Remove buckets / trays and place to one side.

Step 2 – Pre-drill door panel

- If drilling the door panel using a CNC machine, drilling positions are available as a CAD file from the Hideaway Bins website.
- If drilling manually, refer to drilling template or drilling dimensions.
- Mark a vertical centreline on the rear of the door panel.
- Mark a horizontal line indicating the top of the bin body top reference. **TIP:** An allowance needs to be made for the door overlap with the top of the carcass e.g. for a 16mm thick carcass material and 3mm gap between the door panel and the bench top the horizontal line should be $(16-3) = 13\text{mm}$ down from the top edge of the panel.
- Align the door panel template with the lines as indicated and mark the position of the mounting holes for the door brackets through the paper. **TIP:** 3 screw locations are required for each door bracket. An alternative location for the top screw is indicated. This should only be used in framed door situations but makes door adjustment more difficult.
- Drill a 2mm pilot hole at each of the mounting locations.

Step 3 – Install collar side sub assemblies

- Refer to Fig. 1
- 3.1 - Position collar side sub assemblies
 - 3.2 - Secure each using 12mm Surefix screws provided

Step 4 – Install collar rear panel on to collar sides

- Refer to Fig. 1
- 4.1 - Position collar rear panel as shown.
 - 4.2 - Secure using 6G x 12mm self tapping screws.

NOTE: do not use impact driver

Step 5 – Install body sub assembly

Top and side mounting is recommended when possible, and **mandatory** for commercial use.

Option 1 - Body installation, top or top and side mount:

For new kitchens, where possible, it is easiest to place the carcass upside down on a bench while installing the body. See drilling dimensions on back of door drilling template.

- Mark Centreline in top of carcass
- Mark 2 central top mount holes and drill 2mm pilot holes.
- Position the body in the carcass, align the front edge of the body with the front of the carcass and secure using 2 of the 16mm Surefix screws provided. **TIP:** If retrofitting the unit in

an existing kitchen clamp the body to the top of the carcass to hold it in place while securing fasteners.

- Drill pilot holes in other selected mounting locations using the body as a guide
- Insert and tighten 16mm Surefix screws in selected mounting locations.
- If the carcass is upside down return it to an upright position.

Option 2 - Body installation, side mount only:

Where possible partial top mounting to a rail in addition to side mounting is recommended.

- Mark out all side mount holes referring to dimensions provided on back of door drilling template. **TIP:** The centre line of the side mount holes must be level to ensure the product is level when installed.
- Pre-drill pilot holes for all 8 side mount holes.
- Position body in carcass and secure using 4 of the 16mm Surefix screws provided for each side.

Step 6 – Assemble collar and door panel to runners

- Position collar assembly as shown in Fig.4. **TIP:** Ensure that runners are pulled forward, there is a black tab at the front of the runner that can be pulled while holding the door panel.

- Lower the door panel until a click is heard. **TIP:** The door panel may need to be pushed down slightly
- Close the product and check that it is approximately level. **TIP:** If the door panel is significantly out of level it may indicate that it is not clipped down fully on one side.

Step 7 – Adjust the door panel position

Refer to Fig. 5

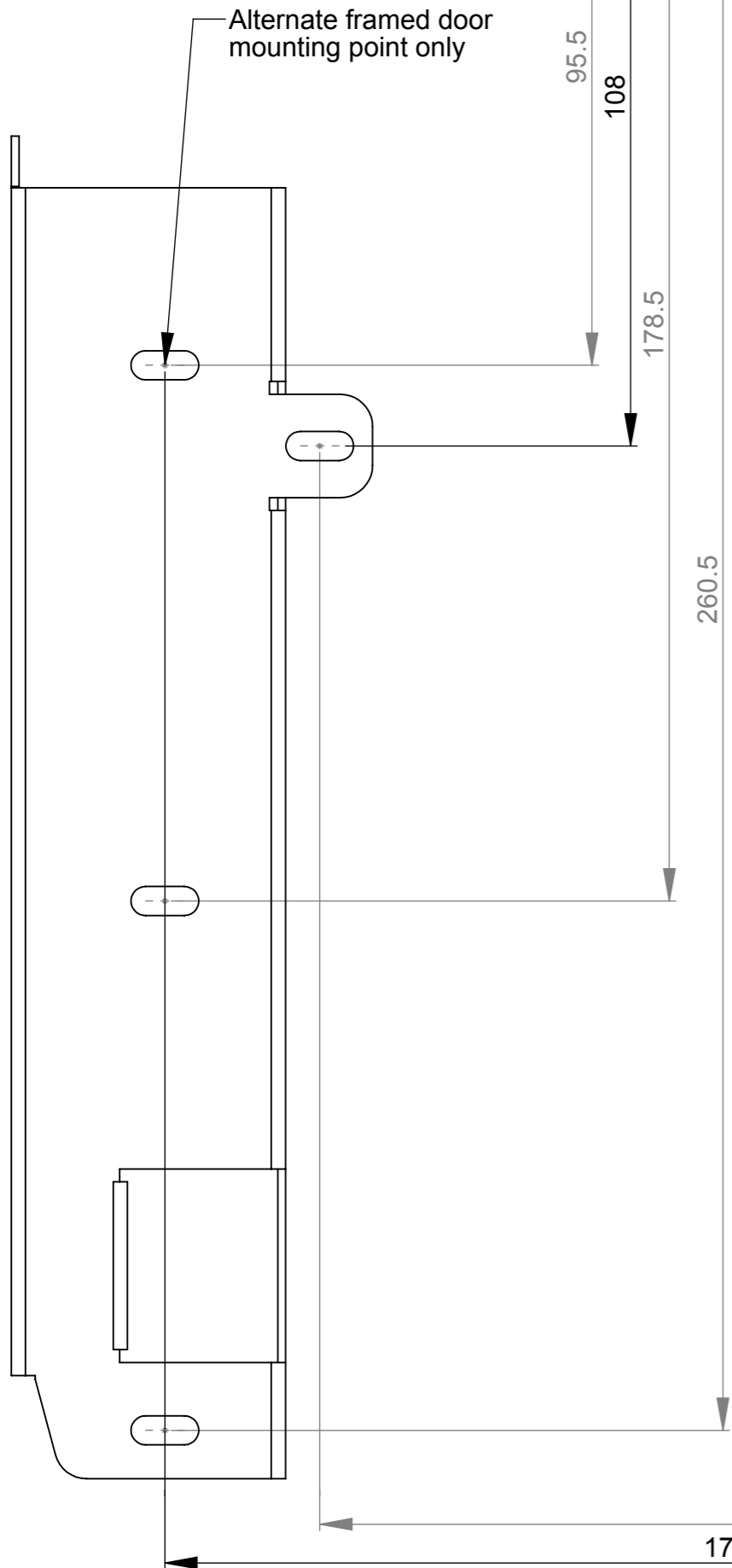
- Loosen the 6 door bracket bolts using the 4mm Allen key provided.
- Adjust the door to be square and parallel to carcass and in the correct vertical position using the adjustment cams.
- Tighten the 6 door bracket bolts.
- Loosen the 6 door mounting screws and adjust the horizontal position of the door panel.
- Tighten the 6 door mounting screws.

Continue overleaf...

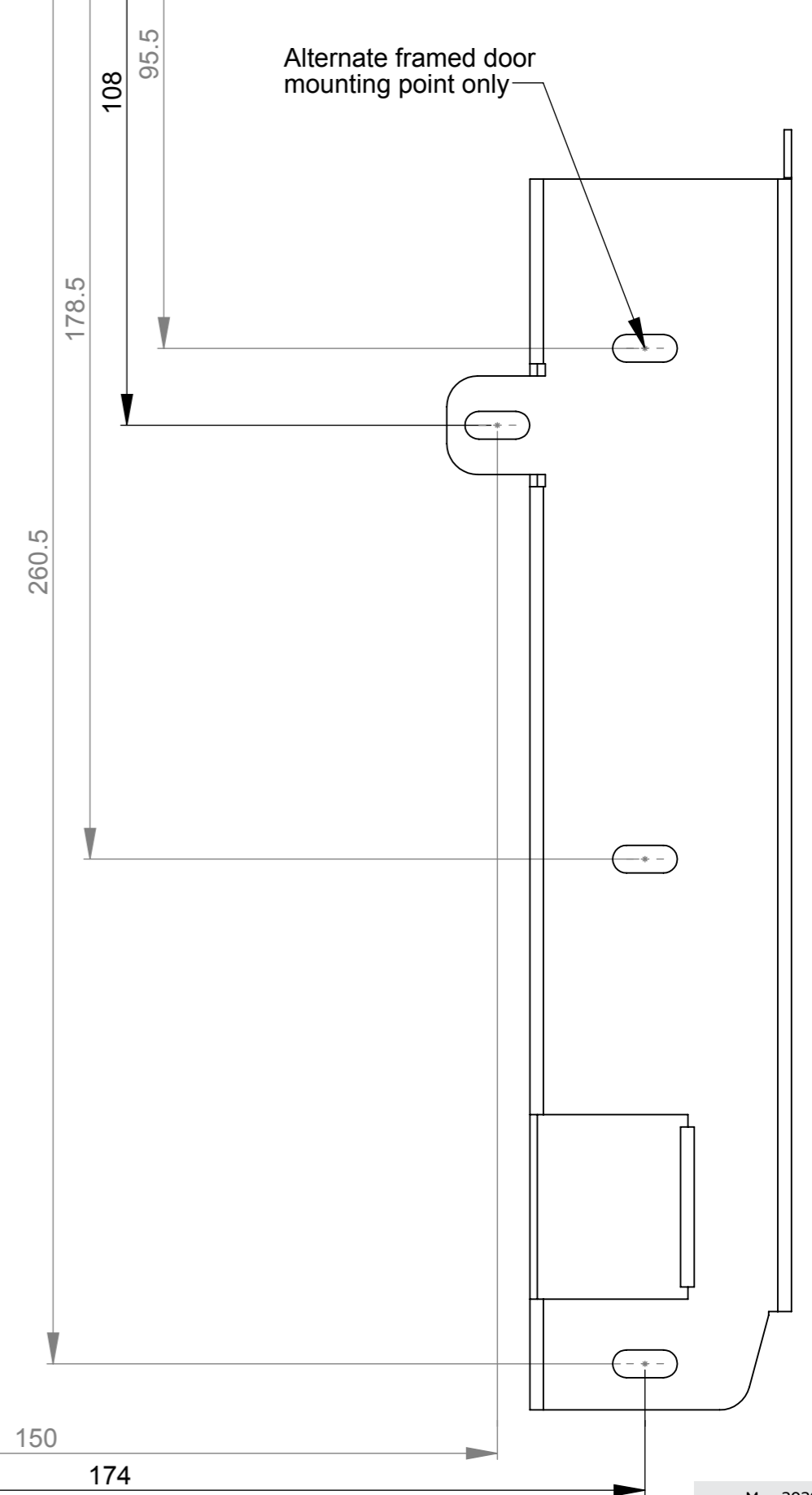
BIN BODY TOP REFERENCE

**CR235
DOOR DRILLING TEMPLATE**

BIN BODY TOP REFERENCE



PANEL CENTRE LINE



CR235 DRILLING DIMENSIONS

