

Hideaway bins, neat thinking.




Hideaway™
BY KITCHEN KING



About Kitchen King

Kitchen King Ltd is the market leader in bin design in New Zealand.

Our company is a member of the National Kitchen and Bathroom Association (NKBA). We place a strong focus on product design and continual improvements to ensure we remain at the forefront of our industry.

Hideaway bins by Kitchen King provide intelligent bin solutions, with quality and innovation being the primary aim. Hideaway bins are New Zealand made and we proudly belong to the Buy New Zealand Made campaign.

The Hideaway Bin Range

Hideaway bins are the ideal solution to keep your bin out of sight in any area of your home - kitchen, bathroom, laundry, motor home, office.... anywhere. There are three ranges to choose from - Hideaway Compact, Hideaway Deluxe and Hideaway Soft Close.

Intelligently designed, each Hideaway range offers a simple and stylish space-saving solution. All units are easy to clean and are made from zinc treated steel which has been powder-coated for strength and durability.

The polyethylene buckets come in various sizes and configurations to suit your requirements. For Hideaway Soft Close models see pg.2, and for Hideaway Compact and Deluxe models see pg.3. A liner holder is included with all bucket sizes, for example the 15L bucket and liner holder will hold the standard supermarket shopping bag in place.

All models feature high quality tracks that over extend, allowing the bucket/s to be removed easily. Hideaway Compact and Deluxe models support 40kg of weight across the tracks, with the Hideaway Soft Close supporting 45kgs.

Hideaway bins fit into both new and existing cabinetry and are easily installed directly to the underside of a bench/shelf. Some models can also be floor mounted to the base of a cabinet, providing an ideal beneath-the-sink solution. Every detail of our bin ranges has been designed to perfectly complement the modern home.



Hideaway Compact

Hideaway Compact bins are top mounted with the body acting as a cover for the unit. Less componentry means the Hideaway Compact range is designed for areas of limited space, making the bins perfect for bathrooms, offices or motor homes. A perfume sachet is included in the design to assist with odour control.



Hideaway Deluxe

Hideaway Deluxe bins feature a removable, foam-sprung friction-fitted lid that creates a seal across the bucket/s and a replaceable perfume sachet making the range ideal for use in the kitchen.



Hideaway Soft Close

The Hideaway Soft Close bin is an innovative product from Kitchen King. The removable, foam-sprung friction-fitted lid creates a seal for odour control and features a Clinikill powder coat to fight harmful bacteria, yeast, viruses and fungi keeping the bin solution hygienic.

The high quality German ball bearing self close tracks create a controlled close with an air vacuum dampener that protects the unit from slamming.

Available in Arctic White or Ghost Grey to blend in with other Soft Close technology.



Dimensions

SC215d Available as 2 x 15L bins in a drawer pull
Ghost Grey (SC215d-g) or **Arctic White** (SC215d-w)
W – 325mm, D – 520mm, H – 340mm

SC220d Available as 2 x 20L bins in a drawer pull
Ghost Grey (SC220d-g) or **Arctic White** (SC220d-w)
W – 325mm, D – 520mm, H – 450mm

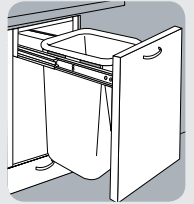
SC150d Available as 1 x 50L bin in a drawer pull
Arctic White Only (SC150d-w)
W – 362mm, D – 425mm, H – 625mm

Which model - Drawer Pull or Handle Pull?

Bins in the three Hideaway ranges are available as either a Handle Pull or Drawer Pull.

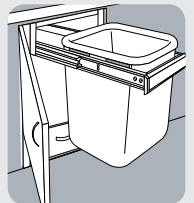
Drawer Pull - 1 step action

The front fascia of your cabinet is attached to the door bracket of the Hideaway bin so that the top mounted bin fits discreetly in the space inside your cabinet, giving you access to your bin in one easy step by simply pulling open the drawer.



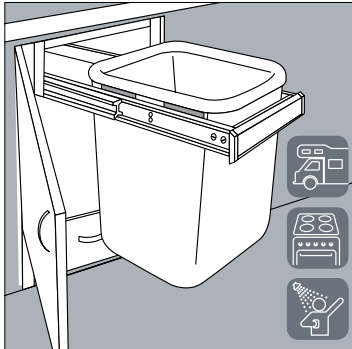
Handle Pull - 2 step action

The unit is top mounted inside your cupboard, giving you access in two easy steps – simply open your hinged cupboard door, then pull open the bin using its handle.



Hideaway Compact Range

Hideaway Deluxe Range



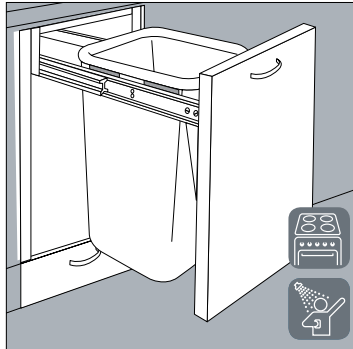
KC15h
Handle Pull

- 1x 15 litre bin
- Suitable for kitchens and bathroom vanities

KC15d
Drawer Pull

- Fits supermarket shopping bag

W – 260mm D – 360mm H – 310mm



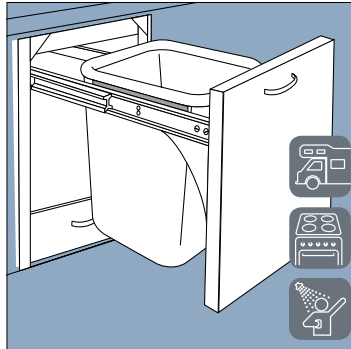
KC20h
Handle Pull

- 1x 20 litre bin
- Ideal for use in cabinets with limited space

KC20d
Drawer Pull

- Suitable for kitchens and bathroom vanities

W – 260mm D – 360mm H – 415mm



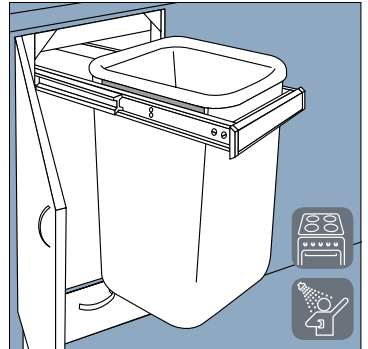
KK3h
Handle Pull

- 1x 15 litre bin
- Suitable for kitchens and bathroom vanities

KK5d
Drawer Pull

- Fits supermarket shopping bag

W – 260mm D – 368mm H – 340mm



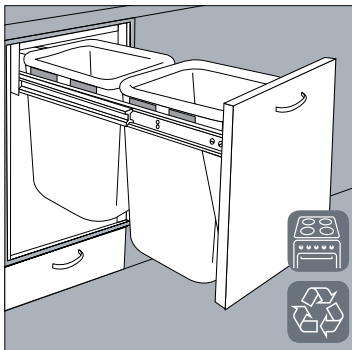
KK2h
Handle Pull

- 1x 20 litre bin
- Ideal for use in cabinets with limited space

KK2d
Drawer Pull

- Suitable for kitchens and bathroom vanities

W – 260mm D – 368mm H – 450mm

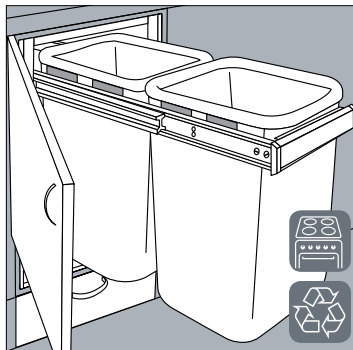


KC30h
Handle Pull

- 2x 15 litre bins
- Ideal recycling solution
- 2x units can be stacked to make a 4 bin recycling system
- Fits supermarket shopping bag

KC30d
Drawer Pull

W – 300mm D – 510mm H – 310mm

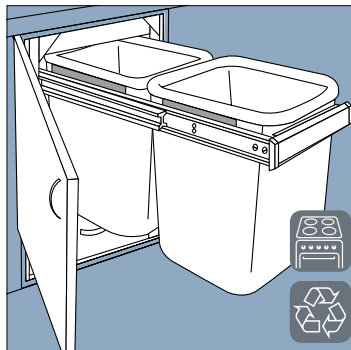


KC40h
Handle Pull

- 2x 20 litre bins
- Ideal recycling solution
- Suitable for larger families

KC40d
Drawer Pull

W – 300mm D – 510mm H – 415mm

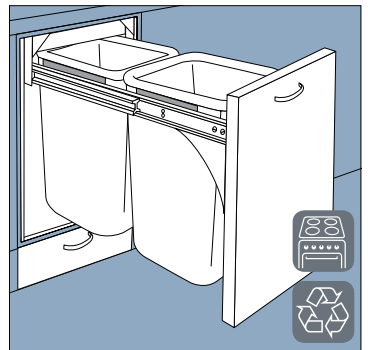


KK4h
Handle Pull

- 2x 15 litre bins
- Ideal recycling solution
- 2x units can be stacked to make a 4 bin recycling system
- Fits supermarket shopping bag

KK6d
Drawer Pull

W – 300mm D – 520mm H – 340mm

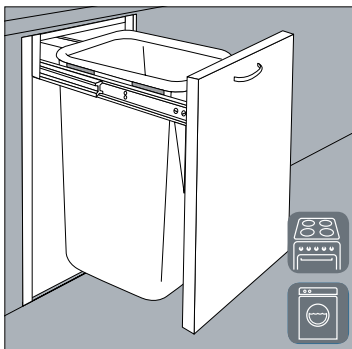


KK12h
Handle Pull

- 2x 20 litre bins
- Ideal recycling solution
- Suitable for larger families

KK12d
Drawer Pull

W – 300mm D – 520mm H – 450mm

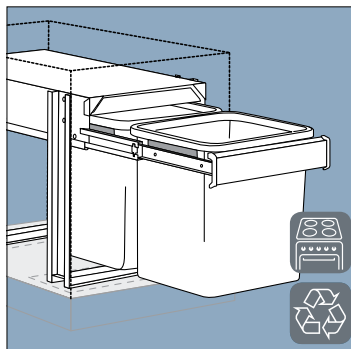


KC50h
Handle Pull

- 1x 50 litre bin
- Ideal for use as "hidden" laundry basket
- Suitable for larger families

KC50d
Drawer Pull

W – 340mm D – 410mm H – 590mm

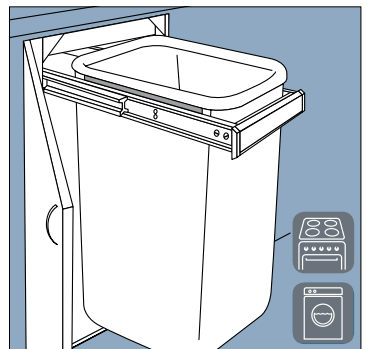


KK4f
Handle Pull

- 2x 15 litre bins
- Ideal for use in existing kitchens
- Solution for sink cupboards
- Floor mounted unit

KK6f
Drawer Pull

W – 330mm D – 520mm H – 380mm



KK7h
Handle Pull

- 1x 50 litre bin
- Ideal for use as "hidden" laundry basket
- Suitable for larger families

KK8d
Drawer Pull

W – 340mm D – 417mm H – 625mm

ORDERS OVER \$100 ARE FREIGHT PAID

INSTALLATION INFORMATION. All measurements given are internal (wall to wall) and are the minimum required to fit each unit. COMPACT MODELS KC15H, KC20H, KC30H, KC40H, KC50H, and DELUXE MODELS KK3H, KK2H, KK4H, KK12H, KK7H – if hinges are used that do not allow the door to clear the opening fully, allow an extra 10mm width. Installation also requires that the top door hinge be 150mm from the top of the door to allow clearance for the bin handle.

Key Features: h - handle pull d - drawer pull f - floor mount



BATHROOM



RECYCLE



KITCHEN



LAUNDRY



MOTOR HOME

Kitchen King Ltd - New Zealand

44 Anvil Road, Silverdale, Auckland

Phone: 09 426 7456 Fax: 09 426 7434

Email: info@hideawaybins.co.nz www.hideawaybins.co.nz

Kitchen King Ltd - Australia

Phone: 1800 042 642

www.hideawaybins.com.au

NKBA
National Kitchen & Bathroom Association - NZ

Patent numbers:
Compact - 530284 Deluxe- 207200

