



Hideaway® Bins, neat thinking.®

NOVER
first by choice


Hideaway®
by kitchen king



Innovation, style and strength

Hideaway Bins are the ideal solution to keep bins hidden and out of sight within any area of a home or commercial project - kitchen, bathroom, laundry...anywhere.

Three intelligently designed, New Zealand made ranges are available offering a simple and stylish, space-saving solution - **Hideaway Compact**, **Hideaway Deluxe** and **Hideaway Soft Close**.

All units:

- are easy to clean
- are made from zinc treated steel for strength
- are powder coated for durability
- come complete with polyethylene buckets
- are available in various sizes and configurations
- include a liner holder with all bucket sizes

Applications for use

Hideaway Bins are ideal for use as a hidden bin solution in many situations, for example:

In the Home

- Kitchen
- Bathroom
- Laundry
- Office
- Wardrobe or Beauty Station
- Garage
- Motor Home

Commercial Environment

- Office Kitchen
- Commercial Kitchen
- Restaurant / Bar
- Hotel
- Retirement Village
- Apartment Complex
- Hospital



All models feature high quality tracks that over extend, allowing the bucket/s to be removed easily from beneath the bench top. Hideaway Compact and Deluxe models support 40kgs of weight across the tracks, with the Hideaway Soft Close supporting 45kgs. Hideaway Bins fit into both new and existing cabinetry and are easily installed directly to the underside of a bench/shelf. Some models can also be floor mounted to the base of a cabinet, providing an ideal beneath-the-sink solution.

Every detail of Hideaway Bins has been designed to perfectly complement the modern home or commercial setting...neat thinking!

Installation Information

The measurements for each model are internal (wall to wall) and are the minimum required to fit each unit.

Compact and Deluxe handle pull models: if hinges are used that do not allow the door to clear the opening fully, allow an extra 10mm width. Installation also requires that the top door hinge be 150mm from the top of the door to allow clearance for the bin handle.



Door Pull or Handle Pull?

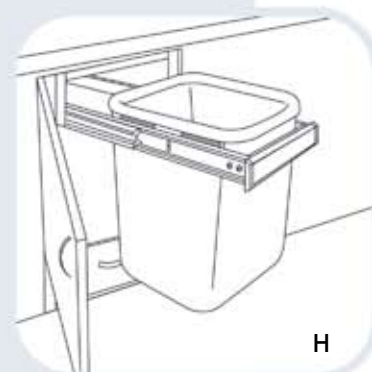
Bins are available as either a **Door Pull (D)** or **Handle Pull (H)**

Door Pull - 1 Step Action

The front fascia of the cabinet is attached to the door bracket of the Hideaway Bin so that the top mounted bin fits discreetly in the space inside your cabinet, giving you access to your bin in one easy step by pulling open the door.

Handle Pull - 2 Step Action

The unit is top mounted inside your cupboard, giving you access in two easy steps - simply open your hinged cupboard door, then pull open the bin using its handle.



Hideaway® Soft Close Bin

NZ PAT APPL NO: 585372

Range Features:

LID - removable, foam-sprung friction fitted lid that creates a seal across the bucket/s when the unit is closed, assisting in odour control. This lid has a Clinikill powder coat to fight harmful bacteria, yeast and fungi keeping the bin solution hygienic.

TRACKS - high quality German ball bearing self-close tracks that create a controlled close through the use of an air vacuum dampener that protects the unit from slamming. The tracks over-extend for easy removal of bucket/s from beneath the bench top and have a dynamic weight loading of 45kgs.

METAL GAUGE - 1.2mm Zinc treated steel, powder coated for durability.

BUCKETS - made from a food grade polyethylene plastic that is recyclable. All buckets come complete with a liner holder which will hold your bag in place.

COLOUR CHOICE - double bin units are available in Arctic White or Ghost Grey, fitting in with other Soft Close technologies.

EASY INSTALLATION - up/down, left/right and pitch adjustment is provided in the door bracket of all Soft Close bins to ensure an easy installation.



SC215D-W

2 x 15 litre buckets

317mm w x 340mm h x 520mm d

- 2 x units can be installed in the standard carcass height providing a four bin recycling solution
- 15 litre buckets hold standard supermarket shopping bags

Order No.	Hideaway	Model	Code Colour	PU
153823	SC215D-G	Door Pull	Ghost Grey	1
153822	SC215D-W	Door Pull	Arctic White	1



SC220D-G

2 x 20 litre buckets

317mm w x 450mm h x 520mm d

- recycling solution

Order No.	Hideaway	Model	Code Colour	PU
153825	SC220D-G	Door Pull	Ghost Grey	1
153824	SC220D-W	Door Pull	Arctic White	1



SC150D-W

1 x 50 litre bucket

362mm w x 625mm h x 425mm d

- ideal for larger families or commercial/office kitchens
- hidden laundry basket solution

Order No.	Hideaway	Model	Code Colour	PU
153826	SC150D-W	Door Pull	Arctic White	1

Hideaway® Deluxe Bin

Range Features:

LID - removable foam-sprung friction-fitted lid that creates a seal across the bucket/s when the unit is closed. The friction-fitted lid makes the Hideaway Deluxe Bins ideal for use in a kitchen environment as odours are locked away. Also installed into the lid are replaceable perfume sachets that sit in check-outs located directly above the buckets assisting with unpleasant odours.

TRACKS - quality ball bearing runners that over-extend allowing easy removal of buckets from beneath the bench top and have a dynamic weight loading of 40kgs.

METAL GAUGE - 1.0mm Zinc treated steel, powder coated for durability.

BUCKETS - made from a recyclable, food grade polyethylene plastic. All buckets come complete with a liner holder to hold your bag in place.



KK5D

1 x 15 litre bucket

260mm w x 340mm h x 368mm d

- suitable for bathroom vanities
- 15 litre bucket holds a standard supermarket shopping bag

Order No.	Hideaway	Model	Code Colour	PU
153800	KK3H	Handle Pull	Arctic White	1
153801	KK5D	Door Pull	Arctic White	1



KK2H

1 x 20 litre bucket

260mm w x 450mm h x 368mm d

- ideal for cabinets with limited space

Order No.	Hideaway	Model	Code Colour	PU
153802	KK2H	Handle Pull	Arctic White	1
153803	KK2D	Door Pull	Arctic White	1



KK6D

2 x 15 litre buckets

300mm w x 340mm h x 520mm d

- 2 x units can be stacked within the standard carcass height providing a four bin recycling solution
- 15 litre bucket holds a standard supermarket shopping bag

Order No.	Hideaway	Model	Code Colour	PU
153804	KK4H	Handle Pull	Arctic White	1
153805	KK6D	Door Pull	Arctic White	1



KK12D

2 x 20 litre buckets

300mm w x 450mm h x 520mm d

- ideal recycling solution

Order No.	Hideaway	Model	Code Colour	PU
153808	KK12H	Handle Pull	Arctic White	1
153809	KK12D	Door Pull	Arctic White	1

Hideaway® Deluxe Bins continued...



KK8D

1 x 50 litre bucket

340mm w x 625mm h x 417mm d

- ideal for use as a hidden laundry basket
- suitable for larger family or commercial/office kitchens

Order No.	Hideaway	Model	Code Colour	PU
153810	KK7H	Handle Pull	Arctic White	1
153811	KK8D	Door Pull	Arctic White	1



KK4F

Floor Mounted

2 x 15 litre buckets

306mm w x 348mm h x 520mm d

- under the sink solution
- 15L bucket holds a standard supermarket shopping bag

Order No.	Hideaway	Model	Code Colour	PU
153806	KK4F	Handle Pull	Arctic White	1
153807	KK6F	Door Pull	Arctic White	1

Hideaway® Compact Bin

PATENT NUMBER: 530285

Range Features:

Hideaway Compact bins are 'compact' in design making the range ideal for areas with limited space. The units are top mounted and this mounting panel acts as a cover for the bucket/s. One check-out is included in the mounting panel for a replaceable perfume sachet that will assist with unpleasant odours.

TRACKS - quality ball bearing runners that over-extend allowing easy removal of buckets from beneath the bench top and have a dynamic weight loading of 40kgs.

METAL GAUGE - 1.0mm Zinc treated steel, powder coated for durability.

BUCKETS - made from a recyclable, food grade polyethylene plastic. All buckets come complete with a liner holder to hold your bag in place.



KC15H

1 x 15 litre bucket

260mm w x 310mm h x 360mm d

- 15 litre bucket holds a standard supermarket shopping bag
- suitable for bathroom vanities and motor homes

Order No.	Hideaway	Model	Code Colour	PU
153812	KC15H	Handle Pull	Arctic White	1
153813	KC15D	Door Pull	Arctic White	1



KC20D

1 x 20 litre bucket

260mm w x 415mm h x 360mm d

- ideal for cabinets with limited space

Order No.	Hideaway	Model	Code Colour	PU
153814	KC20H	Handle Pull	Arctic White	1
153815	KC20D	Door Pull	Arctic White	1

Hideaway® Compact Bins continued...



KC30H

2 x 15 litre buckets

300mm w x 310mm h x 510mm d

- 2 x units can be installed within the standard carcass height providing a four bin recycling solution
- 15 litre bucket holds a standard supermarket shopping bag

Order No.	Hideaway	Model	Code Colour	PU
153816	KC30H	Handle Pull	Arctic White	1
153817	KC30D	Door Pull	Arctic White	1



KC40D

2 x 20 litre buckets

300mm w x 415mm h x 510mm d

- ideal recycling solution

Order No.	Hideaway	Model	Code Colour	PU
153818	KC40H	Handle Pull	Arctic White	1
153819	KC40D	Door Pull	Arctic White	1



KC50H

1 x 50 litre bucket

340mm w x 590mm h x 410mm d

- ideal for use as a hidden laundry basket
- suitable for larger family or commercial/office kitchens

Order No.	Hideaway	Model	Code Colour	PU
153820	KC50H	Handle Pull	Arctic White	1
153821	KC50D	Door Pull	Arctic White	1

Miscellaneous Products

All parts within a Hideaway Bin are replaceable, so you can be sure the bin chosen will not become obsolete. Talk to your Nover Representative for further product information or additional requirements.



Perfume Sachets

70mm w x 70mm h x 5mm d

Perfume sachets are installed in to the check-out found in the lid of Hideaway Deluxe and the top mounting panel of the Hideaway Compact models. Available in Forrest Herb, the fragrance should last 2-3 months once the plastic seal is removed.

Order No.	153900
-----------	--------



50L

20L

15L

Replacement Buckets

The HDPE material used is food grade and recyclable (number 2).

Liner holders pictured are not included with replacement bins

Order No.	153901	15L White	153902	15L Grey
	153903	20L White	153904	20L Grey
	153905	50L White		



15L & 20L

Replacement Liner Holders

A liner holder is the rim that sits on the top of your bucket, holds your waste bag in place as well as keeping the bag clear of the tracks.

Order No.	153906	15L & 20L White	153907	15L & 20L Grey
	153908	50L White		



NOVER

first by choice

NSW

Sydney	1300 668 371
Central Coast	02 4351 2444
Newcastle	02 4956 6626
Orange	02 6362 9666
Port Macquarie	02 6581 2202
Wagga Wagga	02 6925 3900
Wollongong	02 4271 3266

QLD

Brisbane	1300 599 057
Bundaberg	07 4151 6430
Gold Coast	07 5596 3800
Sunshine Coast	07 5456 4322
Townsville	07 4775 3500

VIC

Melbourne	03 9729 0666
-----------	--------------

www.nover.com.au



SC220D-G



SC150D-W


HIDEAWAY[®]
BY kitchen king

Kitchen King[®] Ltd reserve the rights to this brochure under copyright law. It shall not be permissible to duplicate this brochure in any form, either in whole or in part, without our written consent. Subject to technical alterations. Errors and omissions excepted 2011/2012.

Nover Code: 070269