

The Hideaway® Deluxe Top Mount Installation Instructions

Important Installation Information:

For handle pull models KK2H, KK3H, KK4H, KK12H, KK7H: If hinges are used that do not allow the door to clear the opening fully, allow an extra 10mm width. Installation also requires that the top door hinge be 150mm from the top of the door to allow clearance for the bin handle. Refer to our website or brochure for the measurements related to your Hideaway Bin.

Step 1 - Unpack Hideaway Bin

- Remove all polystyrene.
- Remove the bucket/s.
- Please leave the Glad Sample Pack and instructions inside the bucket for owner.

Step 2 - Remove the tracks from unit (see Fig 2a & 2b)

- Place the top mounting panel upside down on a flat surface with the tracks facing upwards.
- Fully extend the tracks.
- Find the black levers located on the outer side of both the left and right track.
- Simultaneously, push the left lever down and the right lever up and pull inner of the tracks towards you until it separates completely from the unit. Set track inner with collar, handle/door bracket attached aside in a safe location.
- Push the outer tracks attached to the top mounting panel back inside the unit.

Step 3 - Remove the friction fitted lid from top mounting panel (see Fig 3a, 3b & 3c)

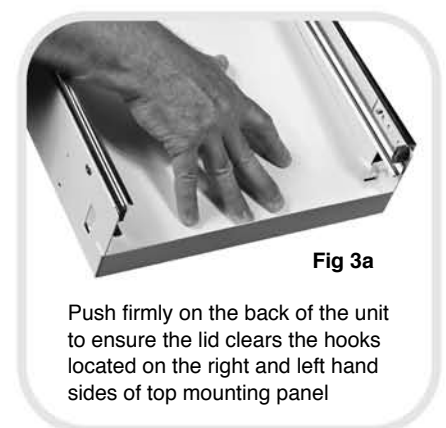
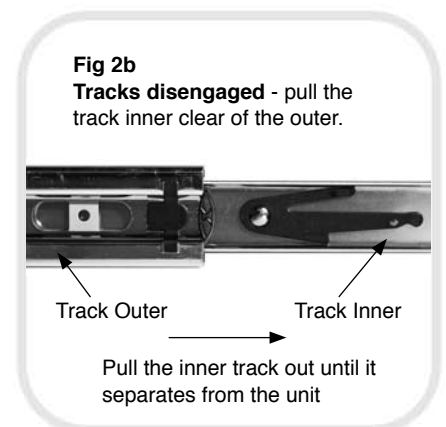
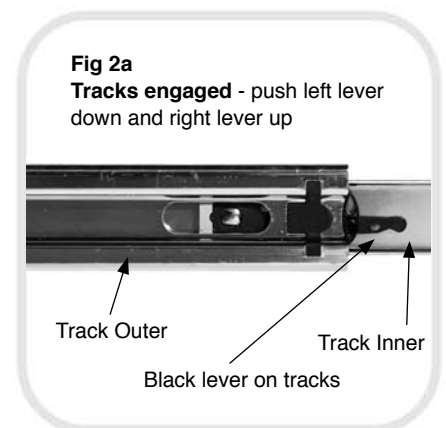
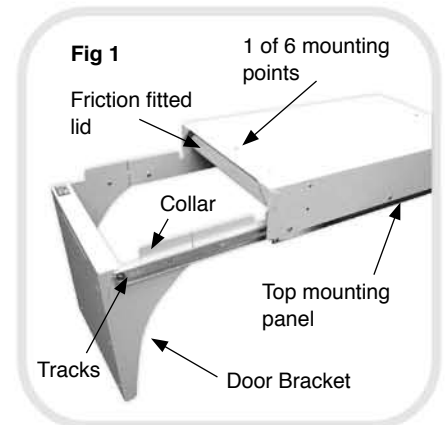
- Top mounting panel should still be upside down on a flat surface with the tracks facing upwards.
- To remove the friction fitted lid - push firmly down on the lid at the back of the unit.
- Push firmly, distributing pressure to both sides of lid to ensure the lid clears the hooks located on the left and right hand sides of the top mounting panel (fig 3b).
- Simultaneously, pull the friction fitted lid forwards until it clears the top mounting panel (fig 3c).
- Pull the foam pad clear of the top mounting panel. Set aside, leaving the plastic cover on.

Step 4 - Top mounting bins only: install your bin within your cupboard / carcass

- Position the top mounting panel (now clear of track inner and collar as well as friction fitted lid and foam pad) inside, beneath your carcass / shelf.
- Position within the centre of the carcass and ensure the front of the top mounting panel is sitting flush with the front of the carcass. Four to six mounting holes are located in the top mounting panel for fixing. Secure the top mounting panel into place with the four/six 20mm sure fix screws provided. Any additional mounting holes added will null and void warranty.

Step 5 - Reinstall the friction fitted lid, foam and perfume sachet into top mounting panel

- Remove the perfume sachet from its check out in the friction fitted lid.
- Unwrap the plastic from the perfume sachet and place the perfume sachet back into the check out in the lid.
- Ensure the perfume sachet is sitting flush in the check out - if it is not, it will interfere with the bucket/s.
- Rest the foam on top of the friction fitted lid - the flat side of the friction fitted lid should be towards the ground with the folds facing upwards.
- Slide the friction fitted lid and foam inside the top mounting panel, stopping just before the rear hooks. (Note: the large fold on the friction fitted lid sits at the front of the unit, and the rear of the lid has the slots which reconnect with the hooks located on the top mounting panel at the rear).
- Simultaneously, with one hand, push firmly up on the back of the friction fitted lid, push the lid above



the hooks and drop into location. Whilst this is happening, with the other hand push the front of the lid upwards to ensure it rests on the metal support - located at the front of the top mounting panel (fig 3c).

- The lid should move up and down slightly, with ease indicating correct installation.

Step 6 - Reattach the track inner and collar to the installed top mounting panel

- Ensure the outer tracks attached to the top mounting panel are pushed all the way inside the unit. On these outer tracks ensure the inner slider is pulled all the way towards the front of the unit.
- Line up the inner tracks (with collar attached) to the outer tracks that are attached to the top mounting panel (which is now installed in your cupboard).
- Push the inner tracks all the way in until the unit closes to engage the tracks. Pull unit open again. The tracks should move with ease indicating correct positioning.

Step 7 - Fix cabinet fascia to door bracket of bin (drawer pull bins only)

- Place a 4mm self tapping screw into the centre hole of the door bracket - ensure the point of the screw is only protruding approx 3mm.
- With the bin closed fully, align the front fascia of the cupboard against the door bracket. A small hit with your hand to the location of the screw will help provide a drilling indication.
- Lie cabinet fascia on a flat surface with the internal part of the door facing upwards.
- Remove the track inner once again (refer step 2 - however, push the left lever up and the right lever down) and align the door bracket with the drilling mark on your cabinet fascia. Drill and tighten centre screw, fixing the door bracket of the bin to the cabinet fascia.
- Reinstall the track inner (now with the cabinet fascia attached) to the tracks inside the top mounting panel (refer step 6).
- Check positioning and align, proceed to marking, screwing and tightening the six remaining screws. Side, up & down adjustment is provided on the door bracket.

Step 8 - Place bin bucket/s into checkouts on collar

- Fully extend the tracks.
- Place bucket/s into the checkouts provided on the collar of the unit. If the bucket/s do not sit within these checkouts the unit will not close properly.
- **Trade** - please leave the Glad sample pack inside the bucket.
- **Homeowner** – you will find a Glad sample pack in the base of your bucket. Slide the Glad Kitchen Tidy Bag into your bucket/s ensuring the bag will not interfere with the tracks (NZ only).
- Place liner holders on top of bucket/s.

Installation complete!

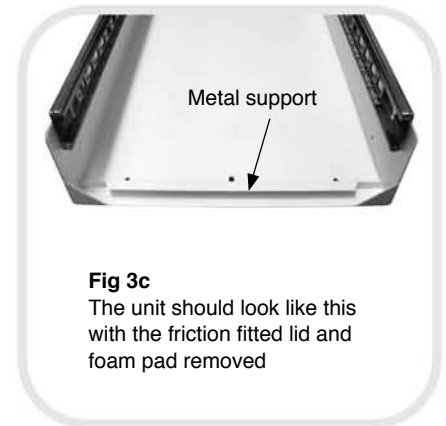


Fig 3c
The unit should look like this with the friction fitted lid and foam pad removed

Questions?

NEW ZEALAND

Phone 09 426 7456

Email info@hideawaybins.co.nz

Web www.hideawaybins.co.nz

AUSTRALIA

Freephone 1800 042 642

Email info@hideawaybins.co.nz

Web www.hideawaybins.com.au

