



Hideaway™ Bins, neat thinking.


Hideaway™
BY KITCHEN KING



Introducing Hideaway™ Bins

Hideaway Bins are the ideal solution to keep bins hidden and out of sight within any area of a home or commercial project - kitchen, bathroom, laundry...anywhere.

Three intelligently designed, New Zealand made ranges are available offering a simple and stylish, space-saving solution - **Hideaway Compact**, **Hideaway Deluxe** and **Hideaway Soft Close**.

All units:

- are easy to clean
- are made from zinc treated steel for strength
- are powder coated for durability
- come complete with polyethylene buckets
- are available in various sizes and configurations
- include a liner holder with all bucket sizes

Applications for use

Hideaway Bins are ideal for use as a hidden bin solution in many situations, for example:

In the Home

- Kitchen
- Bathroom
- Laundry
- Office
- Wardrobe or Beauty Station
- Garage
- Motor Home

Commercial Environment

- Office Kitchen
- Commercial Kitchen
- Restaurant / Bar
- Hotel
- Retirement Village
- Apartment Complex
- Hospital



All models feature high quality tracks that over extend, allowing the bucket/s to be removed easily from beneath the bench top. Hideaway Compact and Deluxe models support 40kgs of weight across the tracks, with the Hideaway Soft Close supporting 45kgs. Hideaway Bins fit into both new and existing cabinetry and are easily installed directly to the underside of a bench/shelf. Some models can also be floor mounted to the base of a cabinet, providing an ideal beneath-the-sink solution.

Every detail of Hideaway Bins has been designed to perfectly complement the modern home or commercial setting...neat thinking!

Installation Information

The measurements for each model are internal (wall to wall) and are the minimum required to fit each unit.

Compact and Deluxe handle pull models: if hinges are used that do not allow the door to clear the opening fully, allow an extra 10mm width. Installation also requires that the top door hinge be 150mm from the top of the door to allow clearance for the bin handle.



Drawer Pull or Handle Pull?

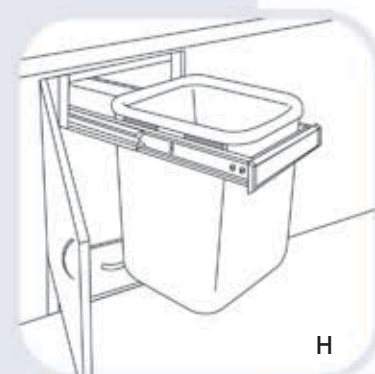
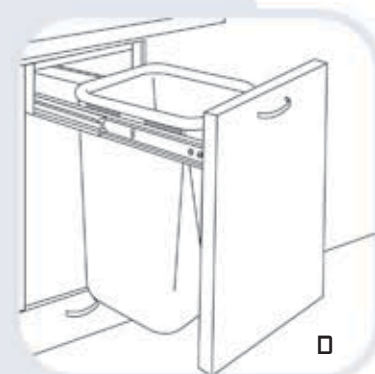
Bins are available as either a **Drawer Pull (D)** or **Handle Pull (H)**

Drawer Pull - 1 Step Action

The front fascia of the cabinet is attached to the door bracket of the Hideaway Bin so that the top mounted bin fits discreetly in the space inside your cabinet, giving you access to your bin in one easy step by pulling open the drawer.

Handle Pull - 2 Step Action

The unit is top mounted inside your cupboard, giving you access in two easy steps - simply open your hinged cupboard door, then pull open the bin using its handle.



Hideaway™ Soft Close Bin

Range Features:

LID - removable, foam-sprung friction fitted lid that creates a seal across the bucket/s when the unit is closed, assisting in odour control. This lid has a Clinikill powder coat to fight harmful bacteria, yeast and fungi keeping the bin solution hygienic.

TRACKS - high quality German ball bearing self-close tracks that create a controlled close through the use of an air vacuum dampener that protects the unit from slamming. The tracks over-extend for easy removal of bucket/s from beneath the bench top and have a dynamic weight loading of 45kgs.

METAL GAUGE - 1.2mm Zinc treated steel, powder coated for durability.

BUCKETS - made from a food grade polyethylene plastic that is recyclable. All buckets come complete with a liner holder which will hold your bag in place.

COLOUR CHOICE - double bin units are available in Arctic White or Ghost Grey, fitting in with other Soft Close technologies.



SC215D-W

2 x 15 litre buckets

325mm w x 340mm h x 520mm d

- 2 x units can be installed within the standard carcass height providing a four bin recycling solution
- 15 litre buckets hold standard supermarket shopping bags

Hideaway Code	Model	Code Colour	PU
SC215D-G	Drawer Pull	Ghost Grey	1
SC215D-W	Drawer Pull	Arctic White	1



SC220D-G

2 x 20 litre buckets

325mm w x 450mm h x 520mm d

- recycling solution

Hideaway Code	Model	Code Colour	PU
SC220D-G	Drawer Pull	Ghost Grey	1
SC220D-W	Drawer Pull	Arctic White	1



SC150D-W

1 x 50 litre bucket

362mm w x 625mm h x 425mm d

- ideal for larger families or commercial/office kitchens
- hidden laundry basket solution

Hideaway Code	Model	Code Colour	PU
SC150D-W	Drawer Pull	Arctic White	1

Hideaway™ Deluxe Bin

Range Features:

LID - removable foam-sprung friction-fitted lid that creates a seal across the bucket/s when the unit is closed. The friction-fitted lid makes the Hideaway Deluxe Bins ideal for use in a kitchen environment as odours are locked away. Also installed into the lid are replaceable perfume sachets that sit in check-outs located directly above the buckets assisting with unpleasant odours.

TRACKS - quality ball bearing runners that over extend, allowing easy removal of buckets from beneath the bench top and have a dynamic weight loading of 40kgs.

METAL GAUGE - 1.0mm Zinc treated steel, powder coated for durability.

BUCKETS - made from a recyclable, food grade polyethylene plastic. All buckets come complete with a liner holder to hold your bag in place.



KK5D

1 x 15 litre bucket

260mm w x 340mm h x 368mm d

- suitable for bathroom vanities
- 15 litre bucket holds a standard supermarket shopping bag

Hideaway Code	Model	Code Colour	PU
KK3H	Handle Pull	Arctic White	1
KK5D	Drawer Pull	Arctic White	1



KK2H

1 x 20 litre bucket

260mm w x 450mm h x 368mm d

- ideal for cabinets with limited space

Hideaway Code	Model	Code Colour	PU
KK2H	Handle Pull	Arctic White	1
KK2D	Drawer Pull	Arctic White	1



KK6D

2 x 15 litre buckets

300mm w x 340mm h x 520mm d

- 2 x units can be installed within the standard carcass height providing a four bin recycling solution
- 15 litre bucket holds a standard supermarket shopping bag

Hideaway Code	Model	Code Colour	PU
KK4H	Handle Pull	Arctic White	1
KK6D	Drawer Pull	Arctic White	1



KK12D

2 x 20 litre buckets

300mm w x 450mm h x 520mm d

- ideal recycling solution

Hideaway Code	Model	Code Colour	PU
KK12H	Handle Pull	Arctic White	1
KK12D	Drawer Pull	Arctic White	1



KK8D

1 x 50 litre bucket

340mm w x 625mm h x 417mm d

- ideal for use as a hidden laundry basket
- suitable for larger family or commercial/office kitchens

Hideaway Code	Model	Code Colour	PU
KK7H	Handle Pull	Arctic White	1
KK8D	Drawer Pull	Arctic White	1



KK4F

Floor Mounted

2 x 15 litre buckets

306mm w x 348mm h x 520mm d

- under the sink solution
- 15L bucket holds a standard supermarket shopping bag

Hideaway Code	Model	Code Colour	PU
KK4F	Handle Pull	Arctic White	1
KK6F	Drawer Pull	Arctic White	1

Hideaway™ Compact Bin

PATENT NUMBER: 530285

Range Features:

Hideaway Compact bins are 'compact' in design making the range ideal for areas with limited space. The units are top mounted and this mounting panel acts as a cover for the bucket/s. One check-out is included in the mounting panel for a replaceable perfume sachet that will assist with unpleasant odours.

TRACKS - quality ball bearing runners that over extend, allowing easy removal of buckets from beneath the bench top and have a dynamic weight loading of 40kgs.

METAL GAUGE - 1.0mm Zinc treated steel, powder coated for durability.

BUCKETS - made from a recyclable, food grade polyethylene plastic. All buckets come complete with a liner holder to hold your bag in place.



KC15H

1 x 15 litre bucket

260mm w x 310mm h x 360mm d

- 15 litre bucket holds a standard supermarket shopping bag
- suitable for bathroom vanities and motor homes

Hideaway Code	Model	Code Colour	PU
KC15H	Handle Pull	Arctic White	1
KC15D	Drawer Pull	Arctic White	1



KC20D

1 x 20 litre bucket

260mm w x 415mm h x 360mm d

- ideal for cabinets with limited space

Hideaway Code	Model	Code Colour	PU
KC20H	Handle Pull	Arctic White	1
KC20D	Drawer Pull	Arctic White	1



KC30H

2 x 15 litre buckets

300mm w x 310mm h x 510mm d

- 2 x units can be installed within the standard carcass height providing a four bin recycling solution
- 15 litre bucket holds a standard supermarket shopping bag

Hideaway Code	Model	Code Colour	PU
KC30H	Handle Pull	Arctic White	1
KC30D	Drawer Pull	Arctic White	1



KC40D

2 x 20 litre buckets

300mm w x 415mm h x 510mm d

- ideal recycling solution

Hideaway Code	Model	Code Colour	PU
KC40H	Handle Pull	Arctic White	1
KC40D	Drawer Pull	Arctic White	1



KC50H

1 x 50 litre bucket

340mm w x 590mm h x 410mm d

- ideal for use as a hidden laundry basket
- suitable for larger family or commercial/office kitchens

Hideaway Code	Model	Code Colour	PU
KC50H	Handle Pull	Arctic White	1
KC50D	Drawer Pull	Arctic White	1

Miscellaneous Products

All parts within a Hideaway Bin are replaceable, so you can be sure the bin chosen will not become obsolete. Talk to Kitchen King or your local distribution representative for further product information or additional requirements.



Perfume Sachets

70mm w x 70mm h x 5mm d

Perfume sachets are installed in to the check-out found in the lid of Hideaway Deluxe and the top mounting panel of the Hideaway Compact models. Available in Forrest Herb, the fragrance should last 2-3 months once the plastic seal is removed.

Hideaway Code	Perfume Sachet



50L

20L

15L

Replacement Buckets

The HDPE material used is food grade and recyclable (number 2).

Liner holders pictured are not included with replacement bins

Hideaway Code	15L Bucket	Colour Choice	White/Grey
	20L Bucket		White/Grey
	50L Bucket		White



15L & 20L

Replacement Liner Holders

A liner holder is the rim that sits on the top of your bucket, holds your waste bag in place as well as keeping the bag clear of the tracks.

Hideaway Code	15L & 20L Liner Holder	Colour Choice	White/Grey
	50L Liner Holder		White

Hideaway Bins are manufactured and distributed throughout New Zealand by Kitchen King Ltd.



Kitchen King Limited

44 Anvil Road, Silverdale, Auckland

Phone: 09 426 7456

Fax: 09 426 7434

Email: info@hideawaybins.co.nz

www.hideawaybins.co.nz

Hideaway Bins are also sold through our distribution partners nationwide.



The Laminex Group

Head Office

24-26 O'Rorke Road, Penrose, Auckland

Phone: 09 571 4444 or (toll free) 0800 303 606

Email: info@laminex.co.nz

www.thelaminexgroup.co.nz



Hettich

Head Office

18 Barmac Place, East Tamaki, Auckland

Phone: 09 274 7374 or (toll free) 0800 438 8424

Email: sales@hettich.co.nz

www.hettich.co.nz

Kitchen King Ltd reserve the rights to this brochure under copyright law. It shall not be permissible to duplicate this brochure in any form, either in whole or in part, without our written consent. Subject to technical alterations. Errors and omissions excepted 2010.